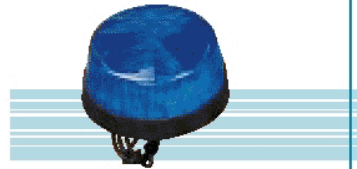


Revolving Light

STROBE & BEACON

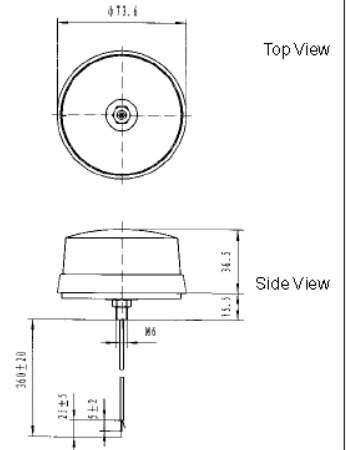
ESB-74 STROBE & BEACON

Model No	ESB-74
Rated Voltage	12 VDC
Operating Voltage	8~15VDC
Max. Rated Current	150mA@12VDC
Rated Flash	115±15Per Minute
Installation	Single Post
Operating Life	200 Hours at 12VDC
Operating Temp.	-20~+60°C
Weight	85g
N.W/ G.W	2.5/ 3.0 Kgs
Meas / QTY	28.4x15.4x23.4cm/ 24 pcs



Acrylic Lens
Black ABS Base
Amber, Blue or Yellow available

DIMENSIONS

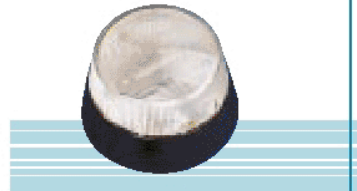


all dimensions are in mm

* Value applying at rated voltage

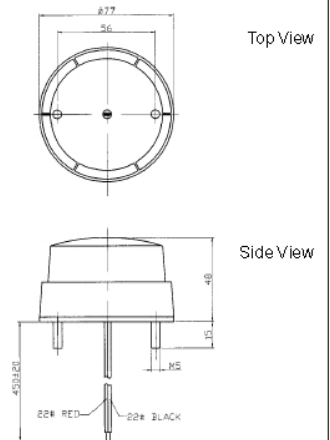
ESB-77 STROBE & BEACON

Model No	ESB-77
Rated Voltage	12 VDC
Operating Voltage	8~15VDC
Max. Rated Current	150mA@12VDC
Rated Flash	115±15Per Minute
Installation	Two Post
Operating Life	200 Hours at 12VDC
Operating Temp.	-20~+60°C
Weight	90 ± 5g
N.W/ G.W	9/ 10 Kgs
Meas / QTY	42x34x35cm/ 100 pcs



Acrylic Lens
Black ABS Base
Amber, Blue or Yellow available

DIMENSIONS



all dimensions are in mm

* Value applying at rated voltage

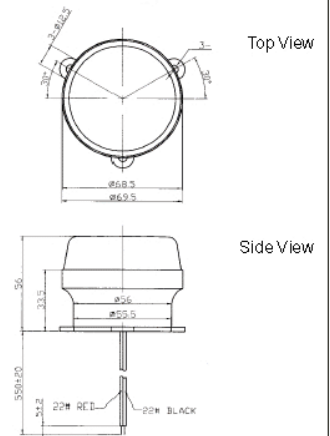
ESB-70A STROBE & BEACON

Model No	ESB-70A
Rated Voltage	12 VDC
Operating Voltage	8~15VDC
Max. Rated Current	150mA@12VDC
Rated Flash	110±15Per Minute
Installation	Tab Mounted
Operating Life	500 Hours at 12VDC
Operating Temp.	-20~+60°C
Weight	90 ± 5g
N.W/ G.W	9/ 10 Kgs
Meas / QTY	40.5x31.2x33.5cm/ 100 pcs



Acrylic Lens
Black ABS Base
Amber, Blue or Yellow available

DIMENSIONS



all dimensions are in mm

* Value applying at rated voltage

Revolving Light

STROBE & BEACON

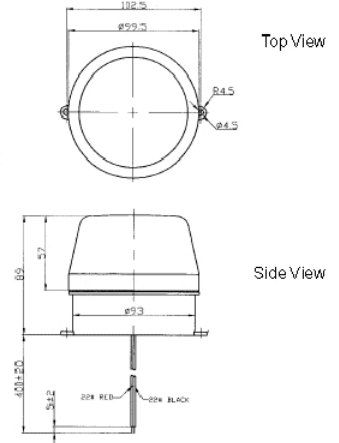
ESB-100 STROBE & BEACON

Model No	ESB-100
Rated Voltage	12 VDC
Operating Voltage	8~15VDC
Max. Rated Current	150 mA/12VDC
Rated Flash	110 ± 15 Per Minute/U Shape
Installation	Tab Mounted
Operating Life	1000 Hours at 12VDC
Operating Temp.	-20~+60°C
Weight	165 ± 5g
N.W/ G.W	8.5 / 9.0 Kgs
Meas / QTY	54 x 59 x 24cm/ 50 pcs



U Acrylic Lens
Black ABS Base
Amber, Blue or Yellow available

DIMENSIONS



all dimensions are in mm

* Value applying at rated voltage

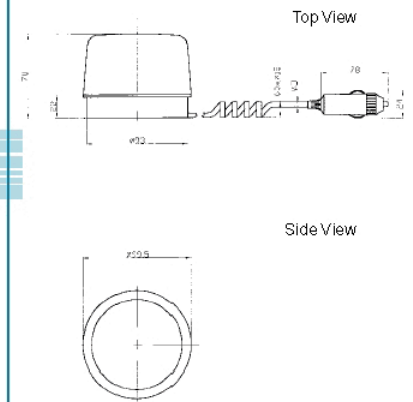
ESB-100A STROBE & BEACON

Model No	ESB-100A
Rated Voltage	12 VDC
Operating Voltage	8~15VDC
Max. Rated Current	300 mA/12VDC
Rated Flash	115 ± 15 Per Minute
Installation	Magnet
Operating Life	500 Hours at 12VDC
Operating Temp.	-20~+60°C
Weight	210 ± 10g



Acrylic Lens
Black ABS Base
Amber, Blue or Yellow available

DIMENSIONS



all dimensions are in mm

* Value applying at rated voltage

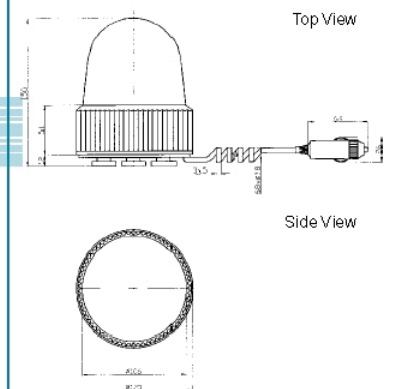
ESB-120P STROBE & BEACON

Model No	ESB-120P
Rated Voltage	12 VDC
Operating Voltage	8~15VDC
Max. Rated Current	1850 mA/12VDC
Rated Flash	120 ± 15 Per Minute
Installation	Magnet
Operating Life	500 Hours at 12VDC
Operating Temp.	-20~+60°C
Weight	465 ± 20g



Acrylic Lens
Black ABS Base
Amber, Blue or Yellow available

DIMENSIONS



all dimensions are in mm

* Value applying at rated voltage

Revolving Light

REVOLVING LIGHT

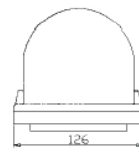
ERL-182 REVOLVING LIGHT

Model No	ERL-182
Rated Current	1500mA
Rated Voltage	12 VDC
Flashes/Minute	130
Installation	Magnet
G.W.	17.5 kgs
QTY	20 pcs
Meas	705x425x315

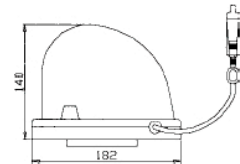


Available in Red
Blue or Yellow

DIMENSIONS



Top View



Side View

all dimensions are in mm

* Value applying at rated voltage

ERL-182PA REVOLVING LIGHT WITH ALARM

Model No	ERL-182PA
Rated Current	1500mA
Rated Voltage	12 VDC
Flashes/Minute	130
Installation	Magnet
G.W.	19 kgs
QTY	20 pcs
Meas	705x425x315

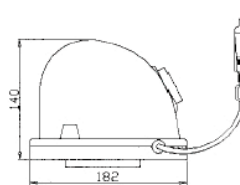


Available in Red
Blue or Yellow

DIMENSIONS



Top View



Side View

all dimensions are in mm

* Value applying at rated voltage

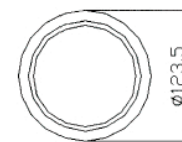
ERL-124 REVOLVING LIGHT

Model No	ERL-124
Rated Current	300mA
Rated Voltage	12 VDC
Flashes/Minute	90
Installation	Magnet
G.W.	9 kgs
QTY	16 pcs
Meas	550x390x555

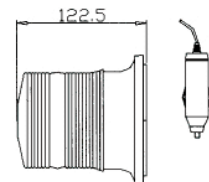


Available in Red
Blue or Yellow

DIMENSIONS



Top View



Side View

all dimensions are in mm

* Value applying at rated voltage

Revolving Light

STROBE & BEACON

ESB-87 STROBE & BEACON

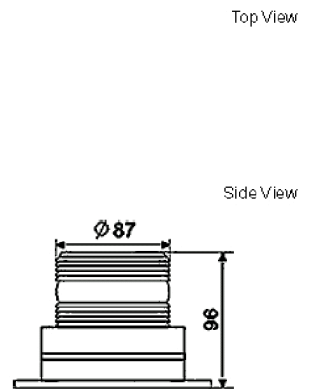
- Compact low profile strobe beacon
- Solid state circuitry
- Modular xenon tube

Model No	ESB-87
Flash Rate Type	85±15 Per Minute
Operating Voltage	8 To 15VDC
Current Draw	150 mA/12 VDC
Operating Life	600 Hours At 12 VDC
Color	Amber,Blue,Red or yellow
Material	Acrylic Lens/Black ABS Base
Dimensions	87(Dia.)*96(H)
Installation	Single Post
Remark	



Available in Red
Blue or Yellow

DIMENSIONS



all dimensions are in mm

* Value applying at rated voltage

ESB-122H STROBE & BEACON

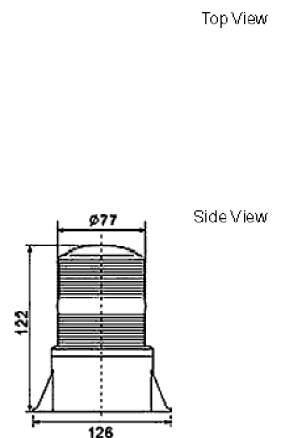
- Compact low profile strobe beacon
- Solid state circuitry
- Modular xenon tube

Model No	ESB-122H
Flash Rate Type	85±15 Per Minute
Operating Voltage	8 To 15VDC
Current Draw	150 mA/12 VDC
Operating Life	600 Hours At 12 VDC
Color	Amber, Blue, Red or yellow
Material	Acrylic Lens/Black ABS Base
Dimensions	112(L)*54(w)*50(H)
Installation	Single Post
Remark	



Available in Red
Blue or Yellow

DIMENSIONS



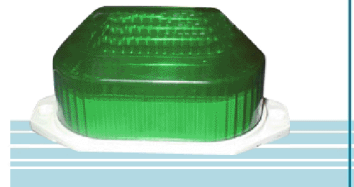
all dimensions are in mm

* Value applying at rated voltage

ESB-112S STROBE & BEACON

- Compact low profile strobe beacon
- Solid state circuitry
- Modular xenon tube

Model No	ESB-112S
Flash Rate Type	85±15 Per Minute
Operating Voltage	8 To 15VDC
Current Draw	150 mA/12 VDC
Operating Life	600 Hours At 12 VDC
Color	Amber,Blue,Red or yellow
Material	Acrylic Lens/Black ABS Base
Dimensions	112(L)*54(w)*50(H)
Installation	Single Post
Remark	



Available in Red
Blue or Yellow

DIMENSIONS

* Value applying at rated voltage

Revolving Light

STROBE & BEACON

ESB-80 STROBE & BEACON

DIMENSIONS



*Available in Red
Blue or Yellow*

Model No	ESB-80
Flash Rate Type	115 ± 15 Per Minute
Operating Voltage	12 To 24VDC
Current Draw	150 mA/12 VDC
Operating Life	600 Hours At 12 VDC
Color	Blue, Red or yellow
Material	Acrylic Lens/Black ABS Base
Dimensions	75(Dia.)*80(H)
Installation	Single Post
Remark	

* Value applying at rated voltage

DIMENSIONS

* Value applying at rated voltage

DIMENSIONS

* Value applying at rated voltage