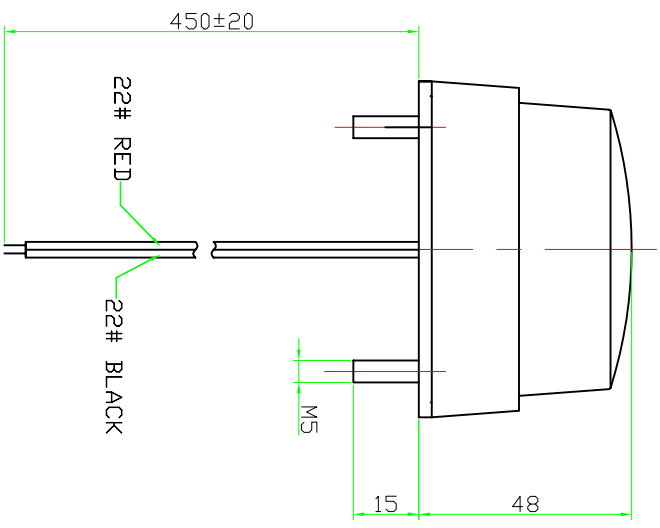
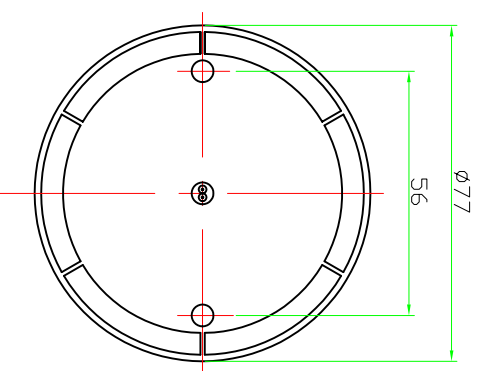


Specification

(Test Condition, 25°C)

- Materials/Color Base: ABS/Black
..... Lens: Acrylic/Amber, Blue, Clear, Red
- Rated Voltage..... 12VDC
- Operating Voltage..... 8-15VDC
- Max. Rated Current..... 150mA/12VDC
- Flash Rate..... 115% ϕ 15 Per Minute
- Operating Life 200 Hours Continuous Duty At 12VDC
- Operating Temperature Range -20 ~ +60°C
- Wires Connection Red +12VDC
..... Black GND
- Weight 90 \pm 5 g



No.		DESCRIPTION	APPROVED	DATE	UNIT	SCALE	SHEET	VER
DRAWN		APPROVALS	DATE	mm				
DSW NINGBO DSW AUDIO & SECURITY EQUIPMENT http://www.easidacoustic.com				Electronic Strobe Light ESB-77				
CHECKED APPROVED				04.01.07				