

Model No. : EML878

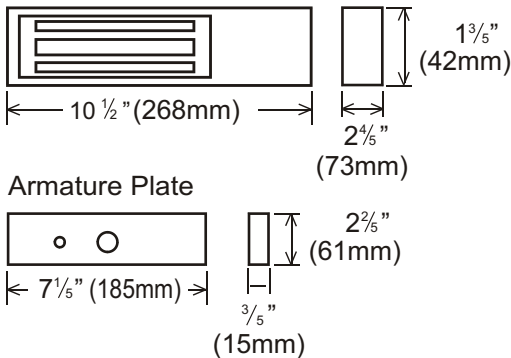
Holding Force: 500kg

• FEATURES:

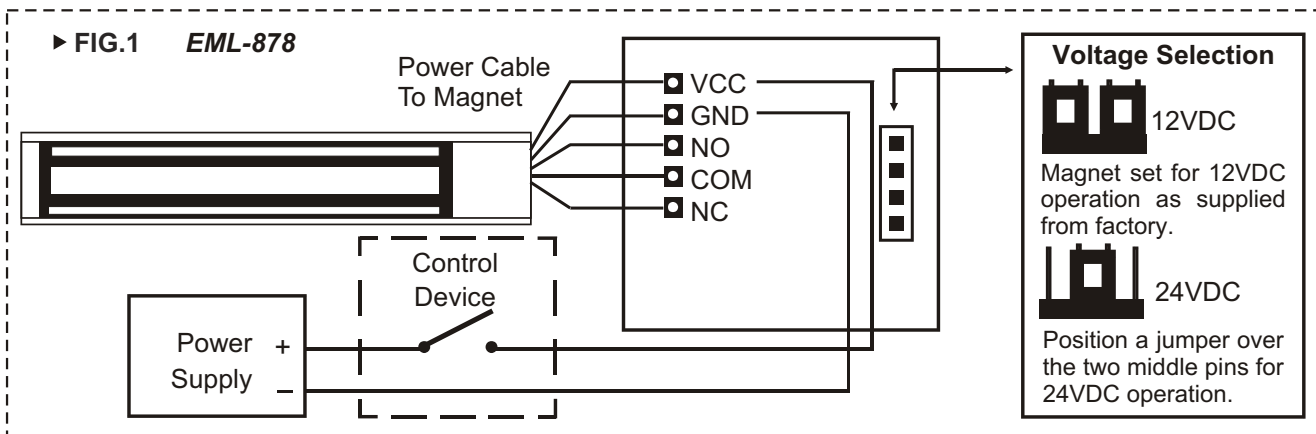
- * Perfect for all kinds of doors, specially for exit-door and fire-resistant door.
- * Anodized aluminum Housing.
- * 12VDC or 24VDC.
- * No residual magnetism.
- * Detachable mounting bracket.
- * LED Indication
- * MOV surge protection
- * Complete mounting hardware included.



• DIMENSIONS:



Specifications	EML878
Power	12VDC or 24VDC
Magnet Size	10 1/2 x 2 1/5 x 1 3/5 in. (268 x 73 x 42 mm)
Armature Size	7 1/5 x 2 2/5 x 3/5 in. (185 x 61 x 15 mm)
Min. Holding Force	1100 lbs. (500kg)
Current Drain	500mA @ 12VDC Cor 250mA@ 24VDC
Voltage Tolerance	± 10%
Housing	Aluminum 14° ~ 131°F
Temperature	(-10° ~ 55°C)
Weight	5.2kg 11.5lb



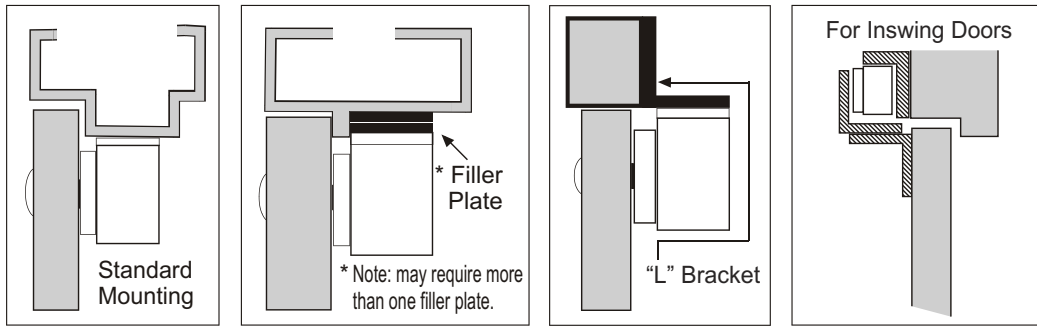
Indication of LED:	
Green light	Door open
Red light	Door lock

Safty mode:	
Power on	Locked
Power cut	Open

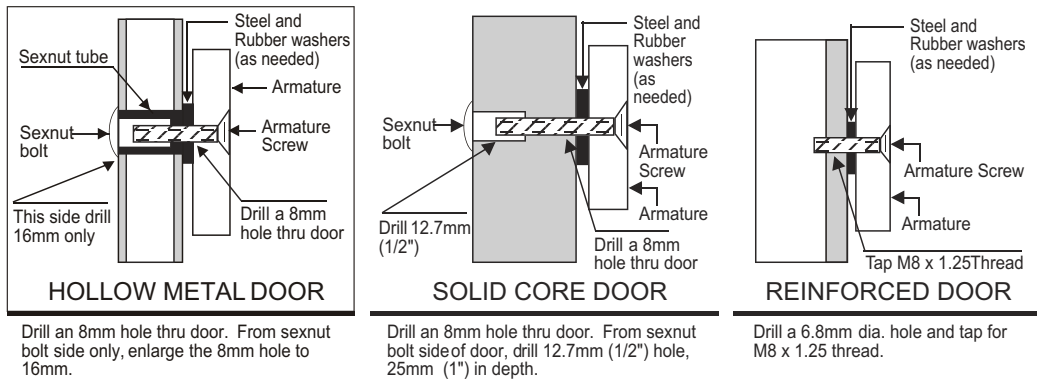
* The information contained herein is believed to be correct, but no guarantee for accuracy, completeness DSW Electronics Ltd. reserves the right to make changes without notification.

• **ELECTROMAGNETIC LOCK Installation Manual**

► **FIG.2**



► **FIG.3**



• **CAUTIONS:**

The magnetic plate of the electromagnetic lock produces a strong magnetic force within an area of 20mm as the diameter. Keep the magnetic-averting objects away from the lock.
The binding posts are in the material package; finish the wire splice before inserting the binding post into the lock.

* The information contained herein is believed to be correct, but no guarantee for accuracy, completeness DSW Electronics Ltd. reserves the right to make changes without notification.