

Model No.: EML868B

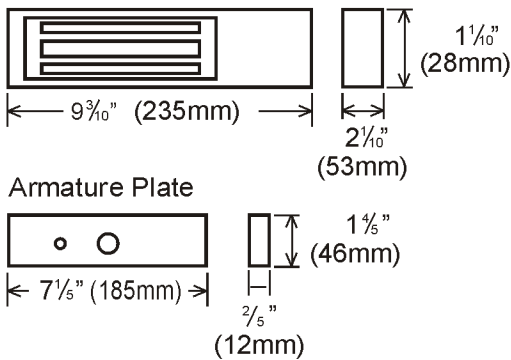
Holding Force: 350kg

• FEATURES:

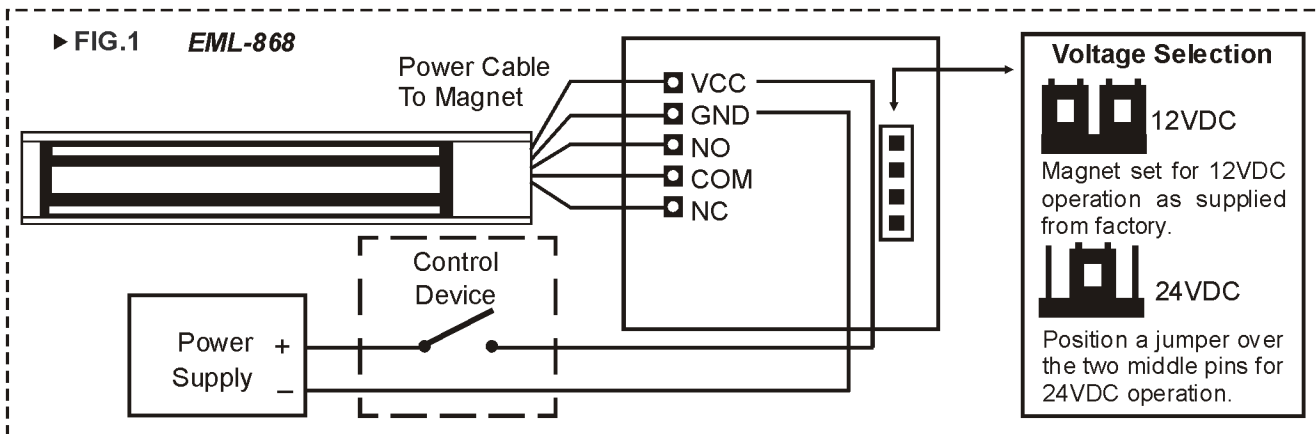
- * Perfect for all kinds of doors, specially for exit-door and fire-resistant door.
- * Anodized aluminum Housing.
- * 12VDC or 24VDC.
- * No residual magnetism.
- * Detachable mounting bracket.
- * LED Indication.
- * MOV surge protection
- * Complete mounting hardware included.



• DIMENSIONS:



Specifications	EML868B
Power	12VDC or 24VDC
Magnet Size	9 ³ / ₁₀ x 2 ¹ / ₁₀ x 1 ¹ / ₁₀ in. (235 x 53 x 28 mm)
Armature Size	7 ¹ / ₅ x 1 ¹ / ₅ x ² / ₅ in. (185 x 46 x 12 mm)
Holding Force	110 lb. (350kg)
Current Drain	500mA @ 12VDC Cor 250mA @ 24VDC
Voltage Tolerance	± 10%
Housing	Aluminum 14° ~ 131°F
Temperature	(-10° ~ 55°C)
Weight	2.4kg 5.3lb



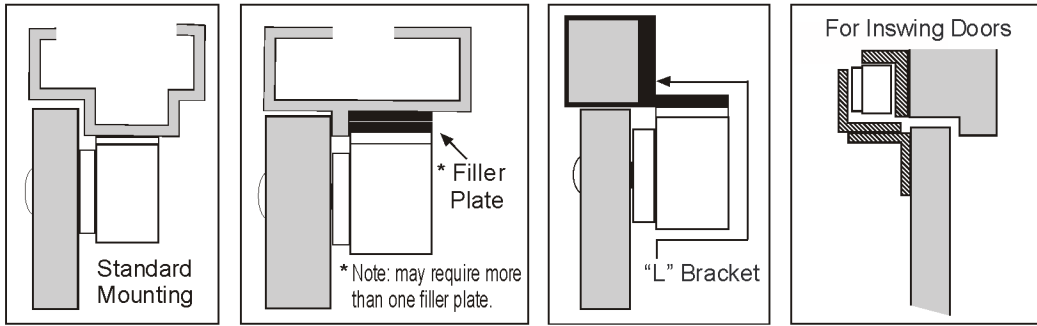
Indication of LED:	
Green light	Door open
Red light	Door lock

Safty mode:	
Power on	Locked
Power cut	Open

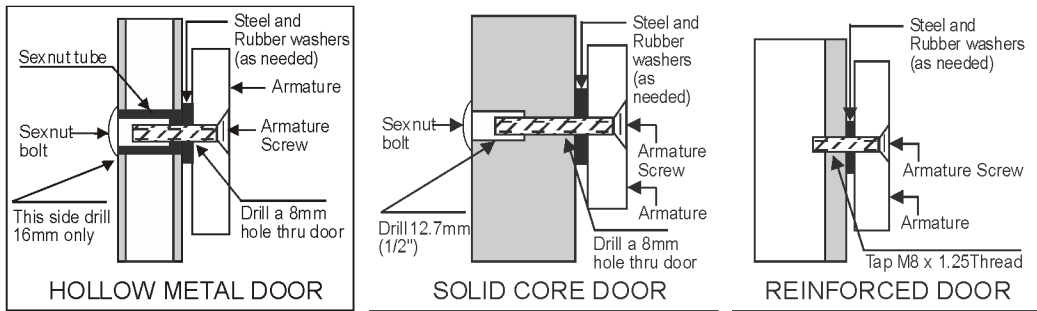
* The information contained herein is believed to be correct, but no guarantee for accuracy, completeness DSW Electronics Ltd. reserves the right to make changes without notification.

• **ELECTROMAGNETIC LOCK Installation Manual**

► **FIG.2**



► **FIG.3**



HOLLOW METAL DOOR
Drill an 8mm hole thru door. From sexnut bolt side only, enlarge the 8mm hole to 16mm.

SOLID CORE DOOR
Drill an 8mm hole thru door. From sexnut bolt side of door, drill 12.7mm (1/2") hole, 25mm (1") in depth.

REINFORCED DOOR
Drill a 6.8mm dia. hole and tap for M8 x 1.25 thread.

• **CAUTIONS:**

The magnetic plate of the electromagnetic lock produces a strong magnetic force within an area of 20mm as the diameter. Keep the magnetic-averting objects away from the lock.
The binding posts are in the material package; finish the wire splice before inserting the binding post into the lock.

* The information contained herein is believed to be correct, but no guarantee for accuracy, completeness DSW Electronics Ltd. reserves the right to make changes without notification.