

Model No.: EMLS18

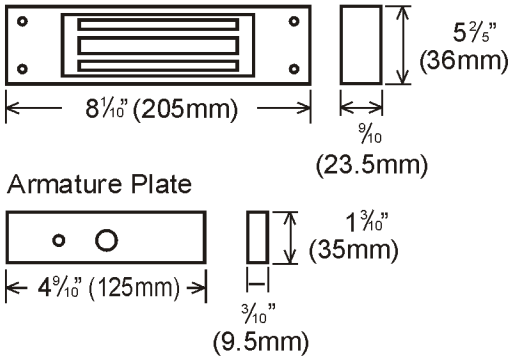
Holding Force: 180kg

• FEATURES:

- * Perfect for all kinds of doors, specially for exit-door and fire-resistant door.
- * Anodized aluminum Housing.
- * 12 VDC.
- * No residual magnetism.
- * Detachable mounting bracket.
- * MOV surge protection
- * Complete mounting hardware included.
- * 0.63-inch hookup wire included.



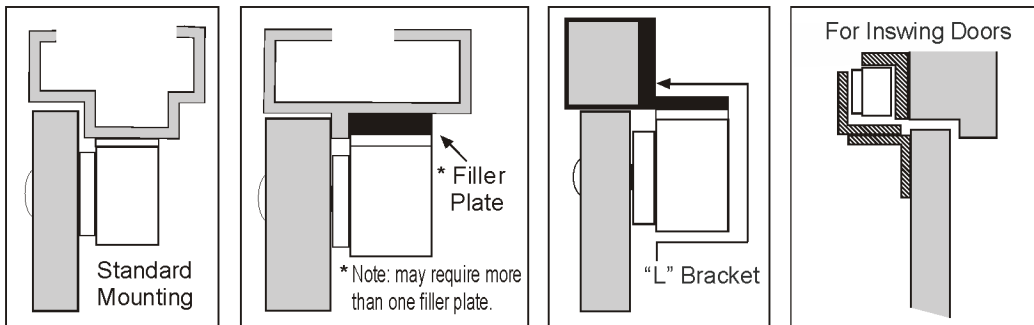
• DIMENSIONS:



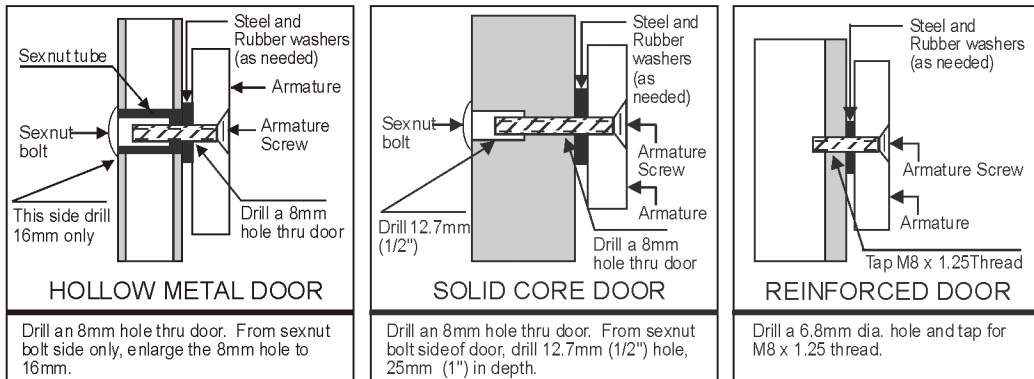
Specifications	EML-818
Power	12VDC
Magnet Size	8 7/10 x 5 2/5 x 9/10 in. (205 x 36 x 23.5 mm)
Armature Size	4 9/10 x 1 3/10 x 3/10 in. (125 x 35 x 9.5 mm)
Holding Force	396 lb. (180kg)
Current Drain	300mA @ 12VDC
Voltage Tolerance	± 10%
Housing	Aluminum
Temperature	14° ~ 131°F (-10° ~ 55°C)
Weight	1.1kg 2.42lb

• ELECTROMAGNETIC LOCK Installation Manual

► FIG.1



► FIG.2



* The information contained herein is believed to be correct, but no guarantee for accuracy, completeness DSW Electronics Ltd. reserves the right to make changes without notification.