

**Model No.: EML-858**

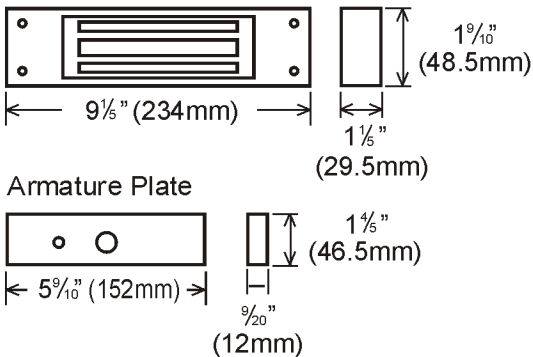
**Holding Force: 280kg**

**• FEATURES:**

- \* Perfect for all kinds of doors, specially for exit-door and fire-resistant door.
- \* Anodized aluminum Housing.
- \* 12 VDC.
- \* No residual magnetism.
- \* Detachable mounting bracket.
- \* Aetachable mounting bracket.
- \* MOV surge protection
- \* Complete mounting hardware included.
- \* 0.63-inch hookup wire included.



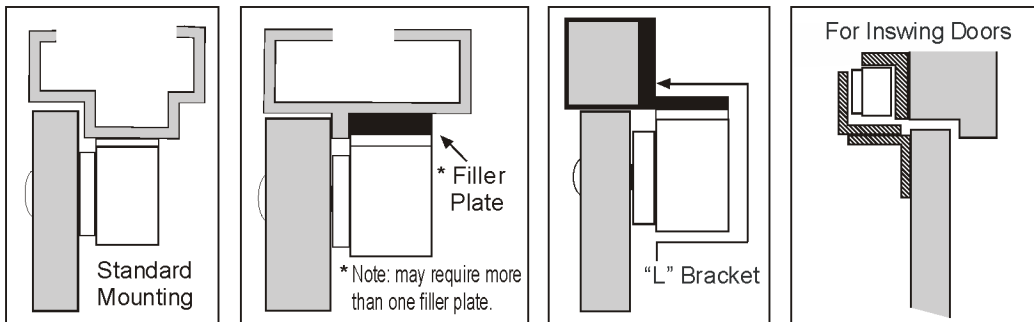
**• DIMENSIONS:**



Specifications	EML-858
Power	12VDC
Magnet Size	9 1/8 x 1 1/8 x 1 1/10 in. (234 x 29.5 x 48.5 mm)
Armature Size	5 9/10 x 1/20 x 1 1/8 in. (151 x 12 x 46.5 mm)
Holding Force	616 ib. (280kg)
Current Drain	450mA @ 12VDC
Voltage Tolerance	± 10%
Housing	Aluminum
Temperature	14° ~ 131°F (-10° ~ 55°C)
Weight	2.3kg 5ib

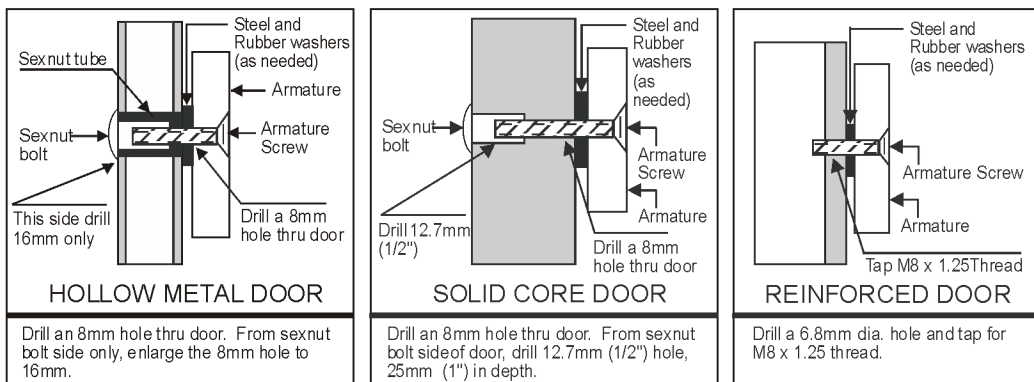
**• ELECTROMAGNETIC LOCK Installation Manual**

► FIG.1



(Z brackets are not available for EML-858.)

► FIG.2



\* The information contained herein is believed to be correct, but no guarantee for accuracy, completeness DSW Electronics Ltd. reserves the right to make changes without notification.