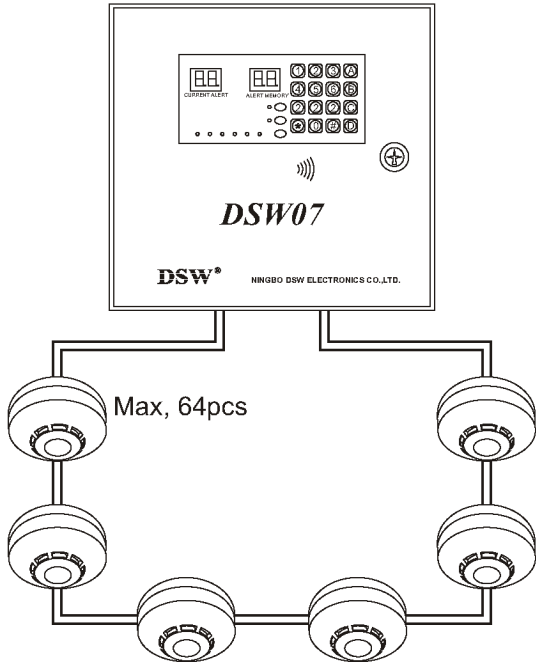


DSW07

Smoke alarm control system

SUMMARY

This system adopts MCU control and SMD technology. It can connect 64 channels smoke/heat detectors. Use LED numeral to display alarm address, it can dial automatically alarming to appointed communication device (telephone, hand call) and has speech alarm function. In time inform you fire danger and decrease your loss to minimum. It applies in hotel, marketplace, factory warehouse etc.



FEATURE

- It can connect 64 channels smoke/heat detectors (0, 1~63);
 - It can save 4 groups telephone number;
 - Two dial methods-- tone (T) and pulse (P) is choice.;
 - After power cutoff, the saved information will not lose;
 - Record function;
 - Automatically play function;
 - Long-distance intermit dialing function;
 - Avoiding keypad falsely-press function, and need use unlock key to unlock.
 - Besides controller panel's system state indicate, it can match with several displays device to indicate system state;
- All smoke / heat detectors are two-wire parallel connected to controller.*

Basis configuration

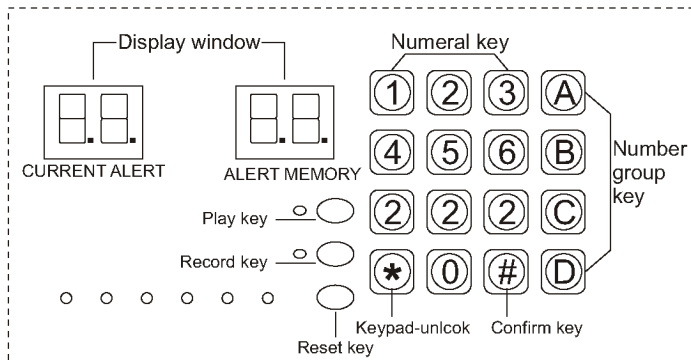
Main controller (1PCS), smoke detector DSW928 (32PCS)

Option unit

Heat detector, alarm light, display device!

Keypad function

- Numeral key: Use for input telephone number;
- Number group key: Total A, B, C, D---4 groups;
- # key: Confirm telephone number;
- * key: Keypad-unlock key;
- RES key: Reset key; press it, return back to waiting state;
- REC key: Record key;
- PLAY key: Play the recorded content.

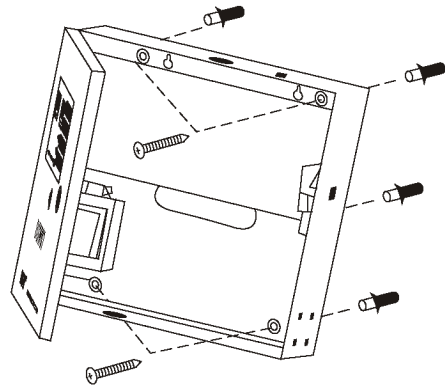


INDICATOR

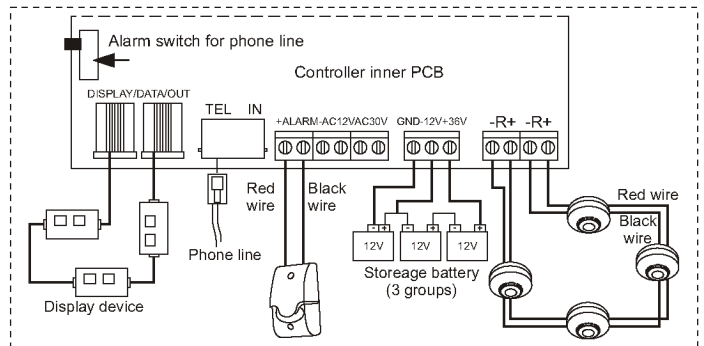
- CHECK--indicate system is checking.
- NORMAL--indicate system is normal
- WAITING--indicate system in waiting state.
- ABNORMAL--indicate detector on certain channel is abnormal (like it is stolen)
- TROUBLE--indicate detector on certain channel has trouble (like it is bad).
- ALARM--indicate detector on certain channel is alarming.
- CURRENT ALERT display window--display the channel of the current detector abnormal/trouble/ alarming
- ALERT MEMORY display window--alternately display the channels of all detectors abnormal/ trouble/alarming

INSTALLING

Unlock and open the front cover;
On installing position mark the installing hole.
Place the unit on safe position avoiding other object in it. And bore hole according to the mark.
Strike dilatants into hole;
Aiming at hole on installing position and tighten screws to fix the back front.
According to connection-line method and connect line; Close front cover and lock it.

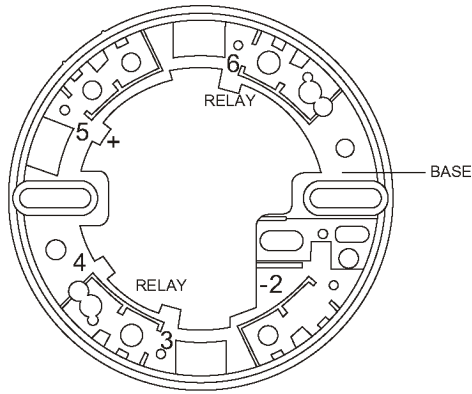


CONNECTION-LINE METHOD (like following fig)



1. "DISPLAY/DATA/OUT" jack--connect display device. The device displays same with panel of controller.
2. "TEL IN" telephone jack--the controller has two telephone jacks. And the controller is parallel connected on telephone line, at first there should be a workable telephone line path. NOTE: When controller don't connect with telephone line, if slide the alarm switch to A, the controller will give "DiDiDi" sound every 20sec, if slide it to B, the alarm is off.
3. "+ALARM OUT" terminal--connect alarm light, output power DC12V, current 800mA.
4. "GND+12V+36" terminal--connect 3-group 12V (>20A/h) storage batteries. During AC power is on, storage battery will be charged automatically. When AC power cut off, the product works entirely by storage battery.
5. "-R+" terminal--connect DC30V smoke/heat detector. Max. 64PCS can be connected. The connection line length is 2400m, adopting red and black wire (at least: 18AWG-1015-600V-105°C).
6. Smoke detector base connection wire method:
 - 5(+) connect controller's R(+)--red wire;
 - 2(-) connect controller's R(--black wire;

• loosen the screws arrow pointing in the right figure and twine the line head on the screw thread under gasket. And then tighten up the screws.



OPERATION

Switch on power: CHECK LED light, the system starts checking. After checking, the NORMAL LED light, and simultaneously CURRENT ALAERT window display normal channel number. And then WAITING LED light and system enter waiting state. Operate keypad: press and hold "*" key until ALERT MEMORY window display "-" and loose it.

Save telephone number:

- save A group number: A123456#
- save B group number: B4561223#
- save C group number: C456789#
- save D group number: D789101#

After a group number saved. ALERT MEMORY window display once the group number. (NOTE: when no number is saved in, the dialer will give "Di Di Di Di" sound every 20sec.

delete number:

- Delete A group number: A#
- Delete B group number: B#
- Delete C group number: C#
- Delete D group number: D#

When number is deleted and you will hear "Di" sound.

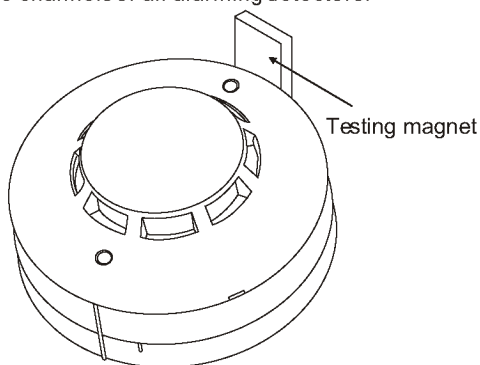
record: Press and hold REC key until the sideward LED light, start to record. Record time default is 5sec. If you press and hold REC key to record all the while, the time is 30sec. when recording finish you will hear "DI" sound and then it play automatically.

Play: Press PLAY key, play recorded content.

Reset: Press RES key, the system restart checking to enter waiting state. Pressing the key can also intermit dialing and alarming.

Trigger smoke detector to alarm:

Attract dry reed tube in smoke detector with magnet (like right fig.), detector's LED flash quickly and then the controller alarm, ALARM LED light, CURRENT ALAERT window flashing display the detector's channel, and ALERT MEMORY window alternately display the channels of all alarming detectors.



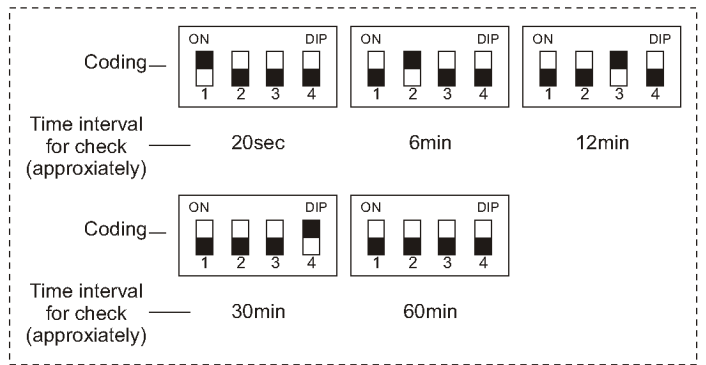
Speech alarm and long-distance intermit dialing:

When controller alarm it automatically alternately dials pre-saved numbers (before it dial certain group number, ALERT MEMORY window display once the group number). Pick up the telephone, and you will hear the recorded speech. If you want to intermit its dialing, at speech stop you can press any key on the telephone. Otherwise after you ring off, the controller will dial the telephone number again.

Abnormity check:

Every some time controller will check whether smoke detector is abnormal (like: it is stolen) or not. The time interval for check can be set by 4-bit DIP switch (like following figure).when check it

abnormal, ABNORMAL LED light, CURRENT ALERT window display the channel of current abnormal detector, ALERT MEMORY window display alternately the channels of all abnormal detectors.

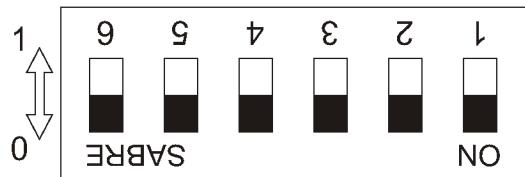


Trouble indicate:

When smoke detector has trouble (for example: it is bad), detector will output a signal to controller and TROUBLE LED light, CURRENT ALAERT window flashing display the channel of current detector hazing trouble, and ALERT MEMORY window alternately display the channels of all trouble detectors.

Coding method

DSW928 smoke detector can be identified by channel code; by 6-bit coding switch its channel code has 64 coding methods (detail in following table).



Coding	Channel	Coding	Channel
000000	0	010000	16
000001	1	010001	17
000010	2	010010	18
000011	3	010011	19
000100	4	010100	20
000101	5	010101	21
000110	6	010110	22
000111	7	010111	23
001000	8	011000	24
001001	9	011001	25
001010	10	011010	26
001011	11	011011	27
001100	12	011100	28
001101	13	011101	29
001110	14	011110	30
001111	15	011111	31

Coding	Channel	Coding	Channel
100000	32	110000	48
100001	33	110001	49
100010	34	110010	50
100011	35	110011	51
100100	36	110100	52
100101	37	110101	53
100110	38	110110	54
100111	39	110111	55
101000	40	111000	56
101001	41	111001	57
101010	42	111010	58
101011	43	111011	59
101100	44	111100	60
101101	45	111101	61
101110	46	111110	62
101111	47	111111	63