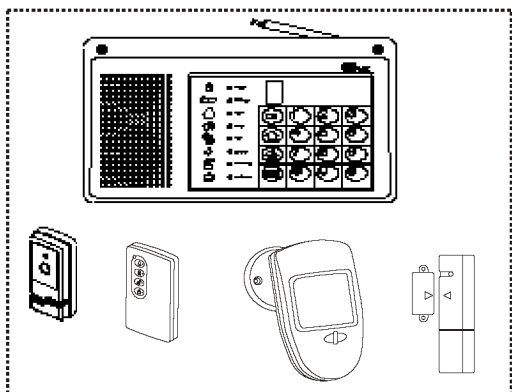


# Home security alarm system

## DSW05

### SUMMARY

Thank you for using multifunctional home security telephone alarm system! The product uses advanced MCU control and SMD technology. Its reliability is good. It gathers following functions: automatically dial and alarm informing appointed communication device (hand call, telephone), scene alarming, long-distance monitor hearing, panic for help, long-distance telephone control, arm and disarm.



### TECHNICAL PARAMETER

#### Main controller:

Power: 12VDC(power adapter convert)  
Standby power: DC12V(storage battery)  
Working frequency: 433MHz  
Remote control distance (wide place): >30m  
Alarm current: 230mA  
Out power static current: 38mA

Standby power static current: 33mA(when out power cut off)

#### Sensor emitter DSW-AL8:

Working power: DC9V(cascading battery)Static current: 30 μA  
Sense distance: 12mSense angle:110°  
Installing height: 2m

Single key, 4-key remote controller: Working power: DC12V (alkaline battery)

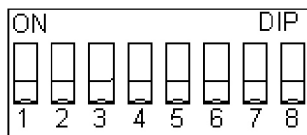
Door magnetism (DSW-DM1): Working power: DC12V (alkaline battery)

### BASIS CONFIGURATION

Main controller (battery include)	1pcs
Power adapter (Input /230VAC, output 12VDC, current ≥1000mA)	1pcs
4-key remote controller (battery include)	2pcs
Sensor emitter DSW-AL8 (battery include)	1pcs
Door magnetism DSW-DM1 (battery include)	2pcs
single-key remote controller (battery include)	1pcs
Telephone line	1pcs

### OPTION UNIT

Smoke alarm (DSW98-RF, DSW728-RF), siren, wired sensor(glass break DSW-AL5, PIR DSW-AL6, PIR & glass break DSW-AL7, double detectors PIR DSW-AL11), wired or wireless PIR DSW-AL9!



**IMPORTANT:** the DIP coding of all emitter fitting must be slide same with the coding of matching controller and then you can use!

### FUNCTION

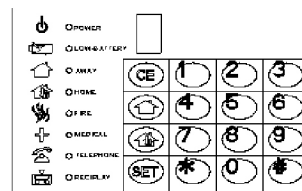
- Can save 4 groups telephone numbers and 1 group medical number.
- After power cut off, the saved information will not lose.
- Long-distance intermit alarm and dial.
- Long-distance monitor hearing scene.
- Long-distance set the controller.
- You can use remote controller to operate panic, arm and disarm.
- 4 sections speeches can be recorded;
- Play function.
- Operating the controller need password.
- Tamper design: when tamper switch on bottom is not pressed down, it will alarm and dial.

### INDICATOR

POWER: total power indicator.

LOW-BATTERY: low-battery (<7V) indicator;

AWAY: away arm indicator.  
HOME: home arm indicator.  
FIRE: Smoke alarm indicator.  
MEDICAL: Medical for help indicator.  
TELEPHONE: Telephone in or out indicator.  
REC/PLAY: Record and play LED

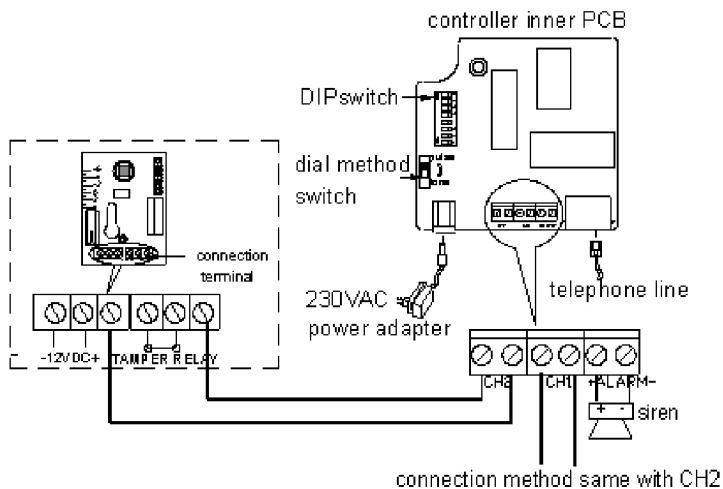


### HOME/AWAY ARM

- Home arm: Outdoor detector (4-7 channel) armed, indoor detector(0-3 channel) no armed, so when you open door or move in the detecting range of indoor detector, the controller will not be triggered to alarm.
- Away arm: Outdoor/indoor detector armed.
- We set the sensor emitter DSW-AL8 to outdoor detector, it is on channel 5; And set door magnetism DSW-DM1 to indoor detector, is on channel 1. We can also set according to your requirement.

### CONNECTION-LINE

1. CH1, CH2 terminal----connect wired detector's output terminal. When no detector connected, it should be short connected;
2. "- ALARM +" terminal----connect with siren (voltage DC12V, current <800mA);
3. Connect telephone line: the dialer has 2 telephone jacks. And the controller is parallel connected on telephone line; at first there should be a workable telephone line path. When controller don't connect with telephone line, controller will give "Di" sound every 20sec.



4. Connect power adapter: the adapter requires: input 230VAC, output 12VDC, and current ≥1000mA. During AC power is on, standby battery will be charged automatically. When AC power cut off, the product works by standby battery entirely. Under the condition that AC power cut off and the standby battery is charged entirely, the battery's static waiting time is 8 hours.

### OPERATION

Switch on DC12V power, POWER, and AWAY LED light.

#### 1. Operate controller's keypad

Press \* key→input operation password (factory set is 0000) →hearing DI...-DI sound→press SET key to set:

- numeral 1-4 key: set alarm telephone number, save number: save the 1 group number: 1→123456#; save the 2 group number: 2→456789#; save the 3 group number: 3→789101#; save the 4 group number: 4→101112#

save telephone extension number: for example 1→123456 (telephone exchange) \*111(telephone extension)#

delete number: delete the 1 group number: 1#; delete the 2 group number: 2#;

delete the 3 group number: 3#; delete the 4 group number: 4#;

NOTE: when no number is saved in, the controller will give "Di Di Di" sound every 20sec.



- numeral 0 key: set special medical telephone number: 0→120# saved, 0# deleted.

numeral 5 key: Modify operation password. The operation password is 4-bit; input new password same twice and then the password will be saved automatically. The password is for setting controller, and you should remember it firmly.

- numeral 6 key: Record, 4 sections speeches can be recorded. →

- Press "1" key, indoor detector (0-3channel, include panic alarm and tamper alarm) alarm information record
- Press "2" key, outdoor detector (4-7channel) alarm information record
- Press "3" key, smoke alarm (8-9channel) alarm information record
- Press "4" key, medical telephone alarm information record
- Press CE key, return to previous.

When REC LED light, start to record, the record time default is 5sec. When press and hold key to record, the record time is 12sec, when record finished, you will hear "DI" sound and the REC LED is off. And then it plays automatically, the REC LED light.

- Press  to away arm, indoor and outdoor detector armed, →{press 0 key, arm quickly, the AWAY LED press 7 key, delay arm, after 60sec the AWAY LED light.
- Press  to home arm, outdoor detector armed and indoor detector not armed, the HOME LED light.
- numeral 9 key: press 9 key every time, the numerical LED display "0"/"1"/"2", when display "0", indicate: as soon as being triggered, the controller will alarm immediately;
- when display "1", indicate: the controller will alarm 10sec later after being triggered;
- when display "2", indicate: the controller will alarm 20sec later after being triggered;

When display needed type, press CE to exit setting.  
NOTE: You can input operation password to disarm the controller.

**2. Speech receiving alarm**

When controller is alarming and dialing, pick up the telephone, you will hear corresponding alarm speech information, after alarm information playing finish, on telephone keypad:

- press the "\*" key, the controller stops alarming and you can monitor hearing the scene sound, after "DI" sound you can press "\*" key to continue hearing scene sound otherwise it will automatically ring off after some time.
- press the "0" key, the controller stops alarming and ring off automatically.
- press the "#" key, the controller ring off automatically but it still alarm delaying 2.5Min.
- press the "8" key, the controller ring off automatically and disarm.

**3. Long-distance setting**

Telephone to the controller→ After hearing 6 waiting for picking up telephone sounds→ "DIDI"→ press \* key→ "DI" -- "DIDI" sound→ input operation password on telephone keypad(If input password correctly, you can hear "DIDIDIDI" sound. If you input it falsely, press \* key and re-input it. The permitted input times is 3) →start to set by telephone keypad: NOTE: when you press the key on telephone keypad, you should waiting for DI sound to confirm pressing key effective.

- numeral 1-4 key: set alarm telephone number, save number: save the 1 group number: 1→123456#; save the 2 group number: 2→456789#; save the 3 group number: 3→789101#; save the 4 group number: 4→101112#
- save telephone extension number: for example 1→ 123456 ( telephone exchange) \*111 (telephone extension) #
- delete number:delete the 1 group number:1#;delete the 2 group number:2#; delete the 3 group number: 3#; delete the 4 group number: 4#;
- numeral 0 key: set special medical telephone number: 0→120# saved, 0# deleted.

- numeral 5 key: Modify operation password. The operation password is 4-bit; input new password same twice and then the password will be saved automatically.

- numeral 6 key: Away arm, indoor and outdoor detector armed, the AWAY LED light.

- numeral 9 key: Home arm, outdoor detector armed and indoor detector not armed, the HOME LED light.

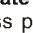
- press \* key: monitor hearing scene→DI sound→press \* key: Continue to monitor hearing scene;
- press 0 key: ring off.0

- numeral 7 key: Panic alarm, after DIDI sound, ring off automatically.

- numeral 8 key: Disarm, you can hear DIDI sound.

- press # key: Return. Need re-input password to enter setting.

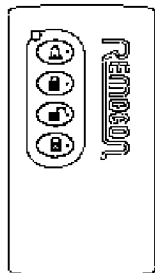
**4. Operate 4-key remote controller**

- Press panic key , the controller give panic alarm(delay 3-4Min), and also it dial numbers by turns.

- Press arm key: Away/home arm, the corresponding HOME, AWAY LED light.

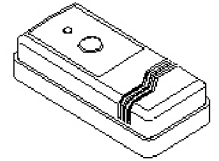
- Press disarm key: Cancel arm, and also can intermit alarming and dialing.

- Press delay arm key: controller give DIDI... for 60sec, after DIDI sound, enter armed, AWAY LED light.



**5. Operate single-key remote controller**

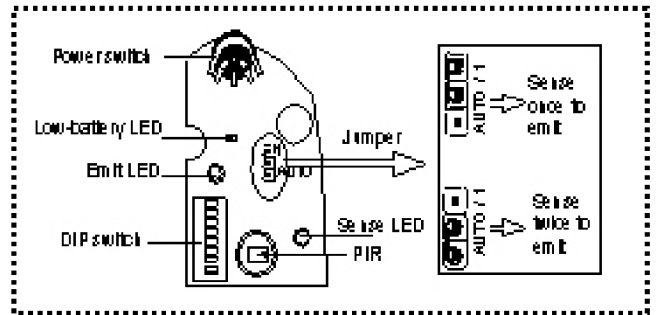
Press it 3 times within 15sec(When pressing it, the MEDICAL LED light.) and the controller will dial medical telephone number ( the MEDICAL LED always light) . NOTE: if no medical telephone number, it will dial alarm telephone number.



**6. Sensor emitter DSW-AL8**

--Jumper setting (like right figure)

- Sense once to emit: after sensing once, the sensor emit signal
- Sense twice to emit: after sensing twice, the sensor emit signal, This setting enhance its preventing false-alarm and preventing-pet function.



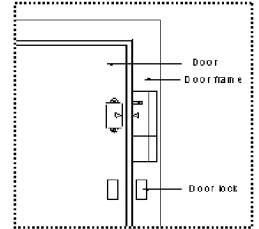
Note: the emit interval time is at least 15sec.that means: sense to make it emit, after at least 15sec sense it again, it will emit again.

--Test

- press the arm key of remote controller or main controller, set the controller to arm state.
- set the jumper on needed position;
- install 9V battery, and install the unit on selected position;
- turn on power switch to switch on power, after 60s the sensor enter stable working state; • move along the tangent of the lens, the sense LED light and then it emit signal to controller, the emission LED light. the controller give alarm(delay 3-4Min) and after 5sec it dial;
- pick up the alarm telephone, you will hear corresponding alarm information pre-recorded.

--Attention

- Low-battery LED: When battery energy is below 7V, the low-battery LED will flash once a second and remind you replace battery.
- Avoid installing the unit on metal base;
- Avoid installing the unit where sun shine or temperature change obviously, for example: air conditioning, heater etc.



**7. Door magnetism DSW-DM1**

- Install magnetism and emitter on upright position of door lock, the distance between them is 3mm~5mm and triangle on emitter aim at triangle on magnetism(like right figure);

- install DC12V battery into emitter and then close the battery lid;
- press the arm key of remote controller or main controller, set the controller to arm.

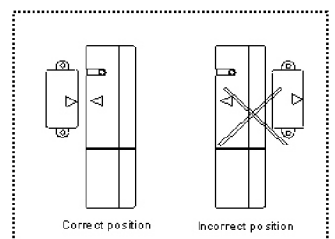
- Open door, the emitter is triggered and its LED light, then emit signal to controller, the controller alarm(delay 3-4Min) and after 5sec it dial;

- pick up the alarm telephone, you will hear corresponding alarm information pre-recorded.

- tamper design: Under the condition that the triangle on emitter aim at triangle on magnetism, when the battery lid is removed, it will emit signal to control.

- Attention: Avoid installing the unit on metal base; The magnetism should be on the left of the emitter (like right figure). IC(2262)pin

IC(2262)pin Channel No.	10th	11th	12th	13rd
CH1	L	L	H	H
CH2	L	H	L	H
CH3	L	H	H	L
CH4	L	H	H	H
CH5	H	L	L	H
CH6	H	L	H	L
CH7	H	L	H	H
CH8	H	H	L	L
CH9	H	H	L	H
Ch0	H	H	H	L



NOTE: the emitter device's address have been coded when out of factory, if you want to code address according to your need, please refer to following address code connection table.