

SPECIFICATION

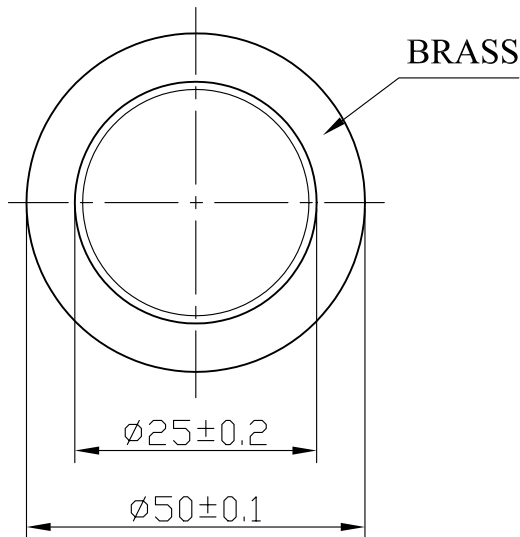
1. SCOPE

This specification is applied to the piezo-element.

2. SPECIFICATION

(at 25°C)

2.1 Resonant Frequency	:	3.0±0.3 KHz
2.2 Resonant Resistace	:	300 Ω max
2.3 Capacitance	:	45000 pF±30% at 120Hz
2.4 Input Voltage	:	30 Vp-p max
2.5 Operating Temperature	:	-20~+60°C
2.6 Storage Temperature	:	-30~+70°C
3. DIMENSION	:	as per figure



		DSW NINGBO DSW AUDIO & SECURITY EQUIPMENT http://www.dswbrand.com fax: +86(574)87264906	
		PIEZO DIAPHRAGM	
		HFT-50T-3.0A	
No.	DESCRIPTION	APPROVED	DATE
<small>TOLERANCES UNLESS NOTED OTHERWISE .X ± .XX ± .XXX ± 90° FORMED +2° ANGLES -1°</small>		APPROVALS	DATE
		DRAWN	04.09.09
		CHECKED	
FIRST ANGLE PROJECTION		APPROVED	
		UNIT mm DWG NO. E0.845.006	
		SCALE	VER
		NOT TO SCALE	1.0