

# SPECIFICATION

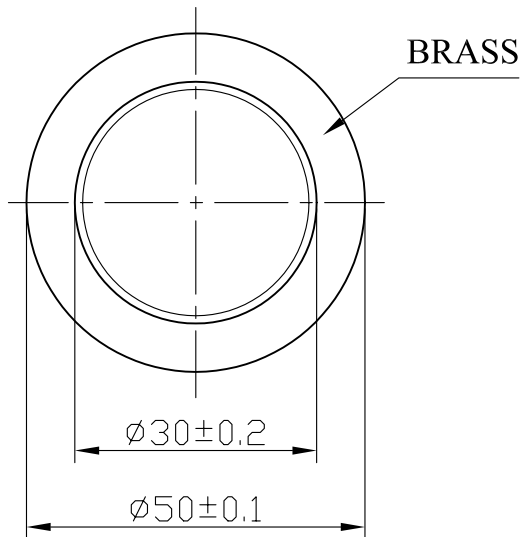
## 1. SCOPE

This specification is applied to the piezo-element.

## 2. SPECIFICATION

(at 25°C)

2.1 Resonant Frequency	:	1.1±0.5 KHz
2.2 Resonant Resistace	:	800 Ω max
2.3 Capacitance	:	60000 pF±30% at 120Hz
2.4 Input Voltage	:	30 Vp-p max
2.5 Operating Temperature	:	-20~+60°C
2.6 Storage Temperature	:	-30~+70°C
3. DIMENSION	:	as per figure



		<b>DSW</b> NINGBO DSW AUDIO & SECURITY EQUIPMENT <i>http://www.dswbrand.com fax: +86(574)87264906</i>	
		<b>PIEZO DIAPHRAGM</b>	
		FT-50T-1.1A1H	
No.	DESCRIPTION	APPROVED	DATE
TOLERANCES UNLESS NOTED OTHERWISE .X ± .XX ± .XXX ± 90° FORMED +2° ANGLES -1°		APPROVALS	DATE
		DRAWN	04.09.09
		CHECKED	
FIRST ANGLE PROJECTION		APPROVED	
		SCALE	SHEET
		mm	E0.845.009
		NOT TO SCALE	VER 1.0